

Fig. 15-62

INSPECTION

1. Connect the 12V to the "b" terminal and the ground to the "a" terminal and then confirm that the digital clock will display.

Note

Be very careful to connect the power supply and ground to the correct terminals.

HEATER

STRUCTURAL VIEW

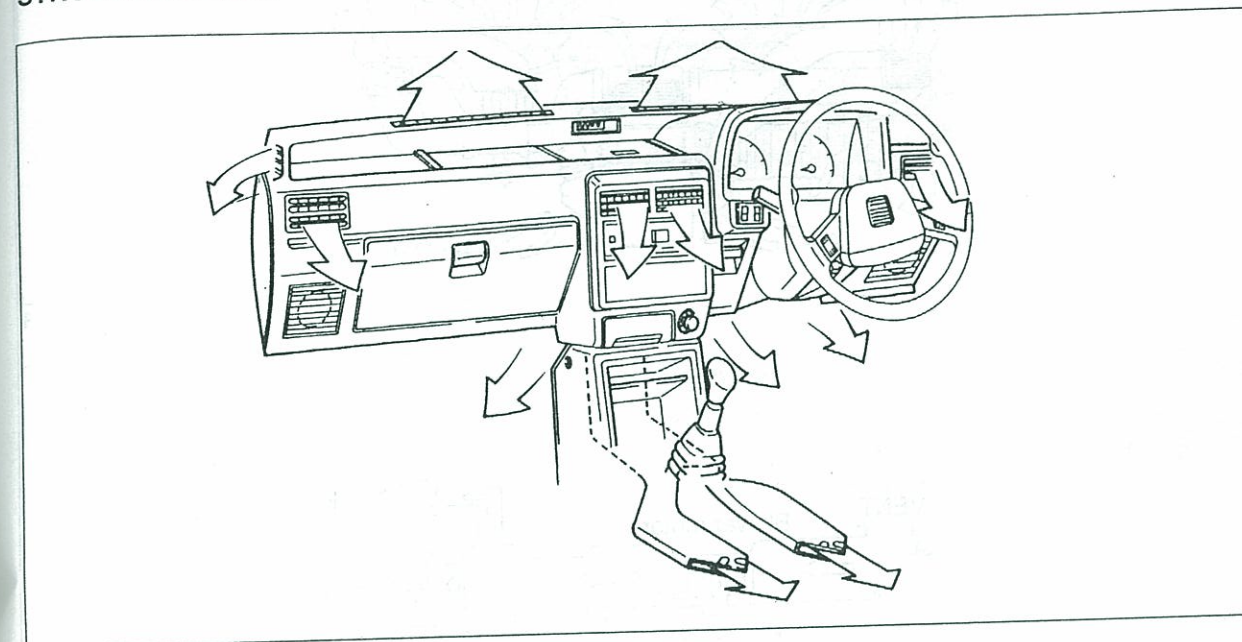


Fig. 15-63

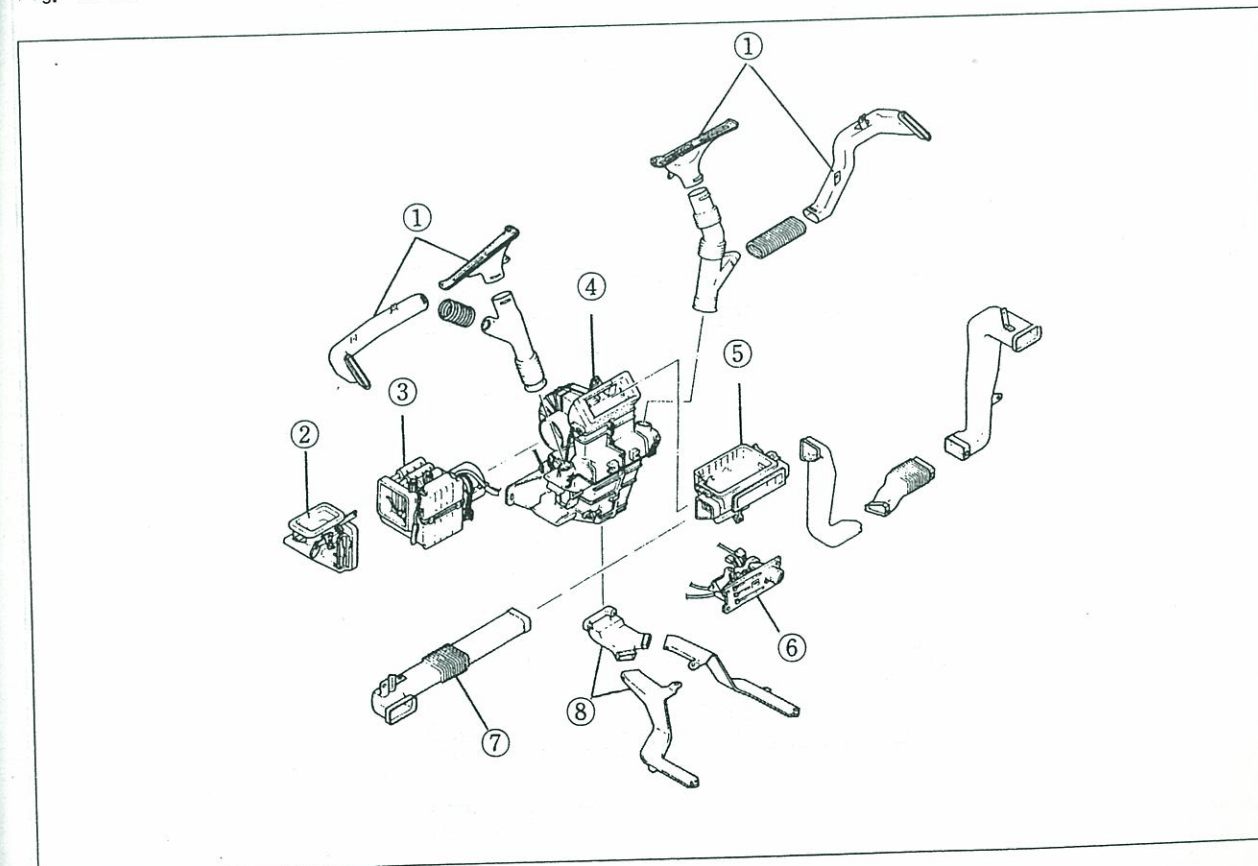


Fig. 15-64

- 1. Front defroster outlet
- 2. Intake box
- 3. Blower unit

- 4. Heater unit
- 5. Cool box
- 6. Heater control switch

- 7. Side defroster outlet
- 8. Rear heater duct (IF FITTED)

Fig. 15-64